

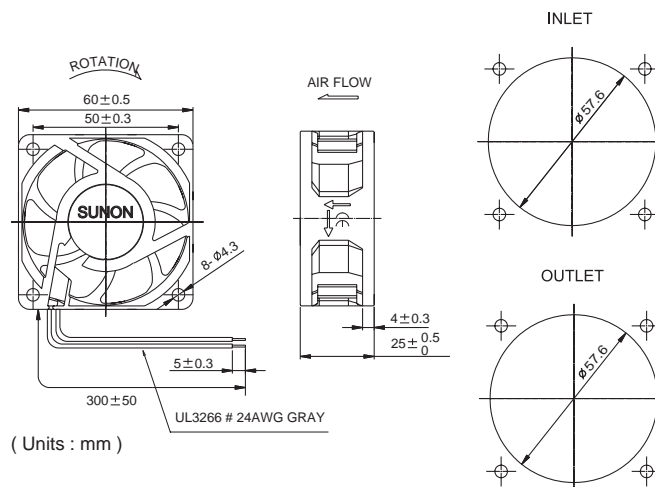
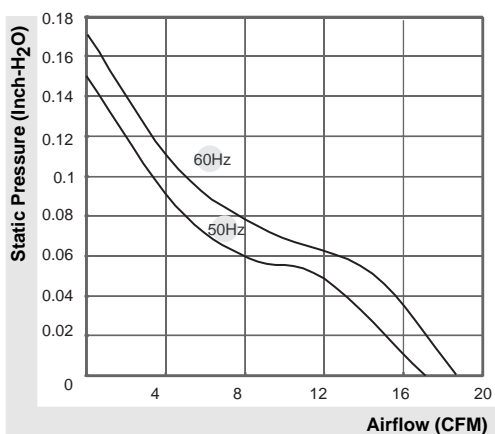
MagLev Motor AC Fan

17 / 19 CFM



| Model | P/N | Bearing ● VAPO ⊙ 2BALL | Rating Voltage (VAC) | Freq. (Hz) | Power Current (AMP) | Power Consumption (WATTS) | Speed (RPM) | Air Flow (CFM) | Static Pressure (Inch-H ₂ O) | Noise (dBA) | Weight (g) |
|------------|-----|------------------------------|----------------------|------------|---------------------|---------------------------|-------------|----------------|---|-------------|------------|
| MA1062-HVL | GN | ● | 115 | 50/60 | 0.12/0.12 | 3.6/3.6 | 3600/3700 | 17/19 | 0.15/0.17 | 25/27 | 80 |
| MA2062-HVL | GN | ● | 230 | 50/60 | 0.10/0.10 | 3.8/3.8 | 3600/3700 | 17/19 | 0.15/0.17 | 25/27 | 80 |

Frame : PBT Plastic



*The rated current is TRUE RMS current measured by BASE-450 (Autoranging Digital V-A-W METER).

*All model could be customized on voltage or any other requirements to fit your need.

*Specifications subject to change without notice. Please Visit SUNON web site at <http://www.sunon.com> for update information.