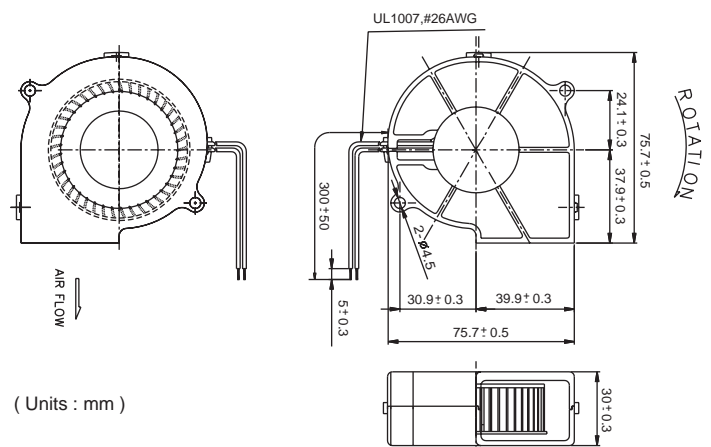
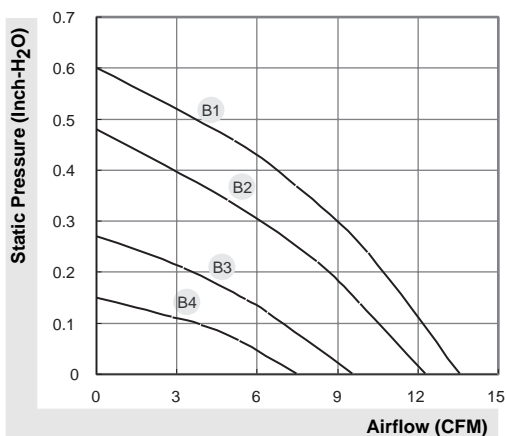


Power Motor Blower

7.5~13.6 CFM



Model	P/N	Bearing ● VAPO ⊕ 2BALL	Rating Voltage (VDC)	Power Current (AMP)	Power Consumption (WATTS)	Speed (RPM)	Air Flow (CFM)	Static Pressure (Inch-H ₂ O)	Noise (dBA)	Weight (g)
PMB1275PNB1-AY	(2).GN	⊕	12	0.30	3.6	3400	13.6	0.60	43.5	86.5
PMB1275PNB2-AY	(2).GN	⊕	12	0.23	2.8	3000	12.3	0.48	40.5	86.5
PMB1275PNB3-AY	(2).GN	⊕	12	0.13	1.6	2400	9.6	0.27	33.9	86.5
PMB1275PNB4-AY	(2).GN	⊕	12	0.08	1.0	1900	7.5	0.15	28.0	86.5
PMB2475PNB1-AY	(2).GN	⊕	24	0.17	4.1	3400	13.6	0.60	43.5	86.5
PMB2475PNB2-AY	(2).GN	⊕	24	0.14	3.4	3000	12.3	0.48	40.5	86.5
PMB2475PNB3-AY	(2).GN	⊕	24	0.08	1.9	2400	9.6	0.27	33.9	86.5
PMB2475PNB4-AY	(2).GN	⊕	24	0.05	1.2	1900	7.5	0.15	28.0	86.5



*All model could be customized on voltage or any other requirements to fit your need.

*Specifications subject to change without notice. Please Visit SUNON web site at <http://www.sunon.com> for update information.