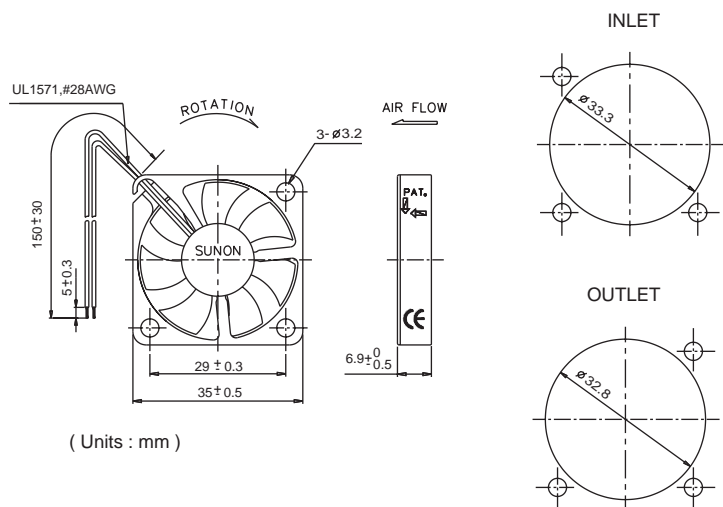
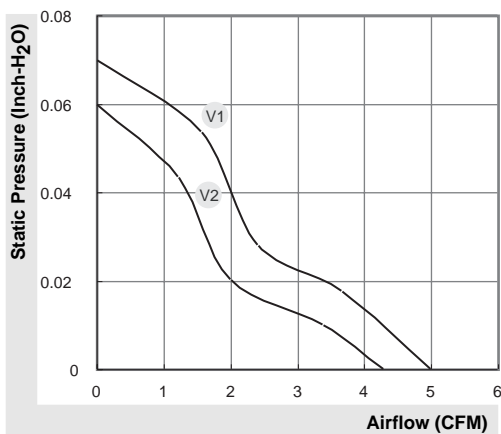


MagLev Green Motor Fan

4.3~5.5 CFM



Model	P/N	Bearing ● VAPO ⊙ 2BALL	Rating Voltage (VDC)	Power Current (AMP)	Power Consumption (WATTS)	Speed (RPM)	Air Flow (CFM)	Static Pressure (Inch-H ₂ O)	Noise (dBA)	Weight (g)
GM0535PEV1-8	N.GN	●	5	0.14	0.7	7600	5.5	0.08	26	7
GM0535PEV2-8	N.GN	●	5	0.09	0.5	5800	4.3	0.06	19	7



*All model could be customized on voltage or any other requirements to fit your need.

*Specifications subject to change without notice. Please Visit SUNON web site at <http://www.sunon.com> for update information.